

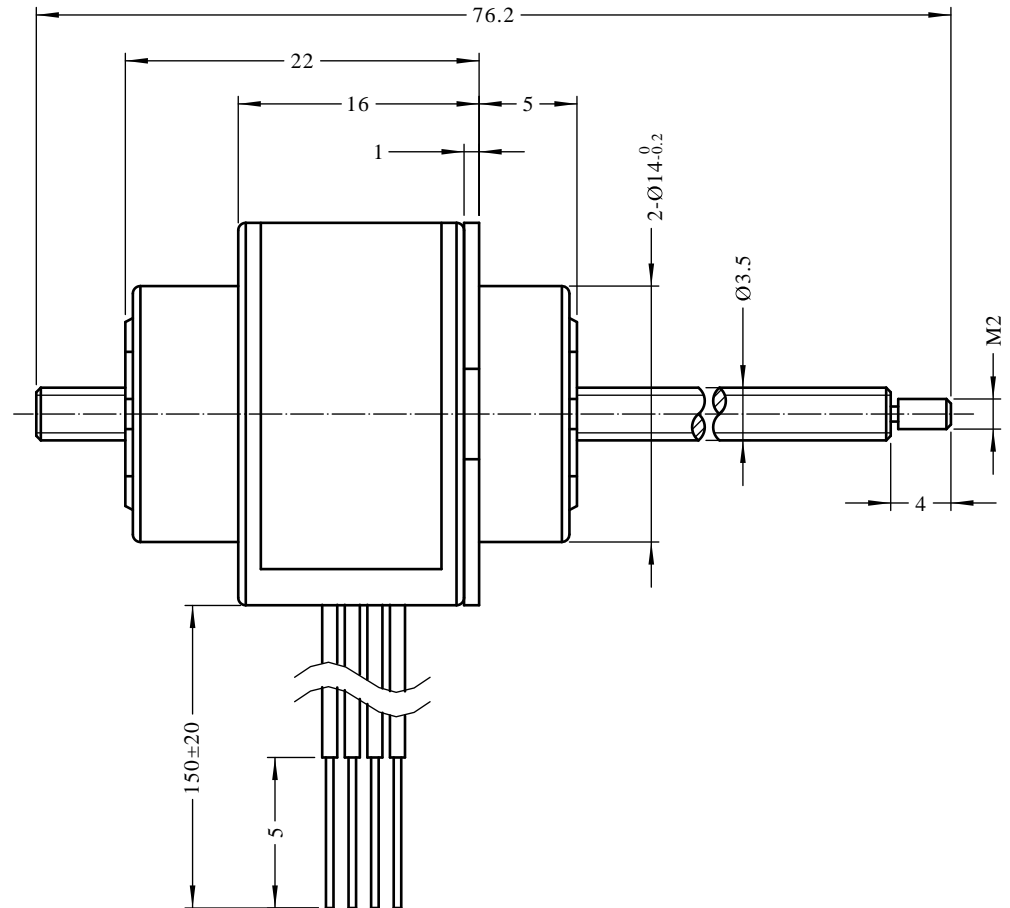
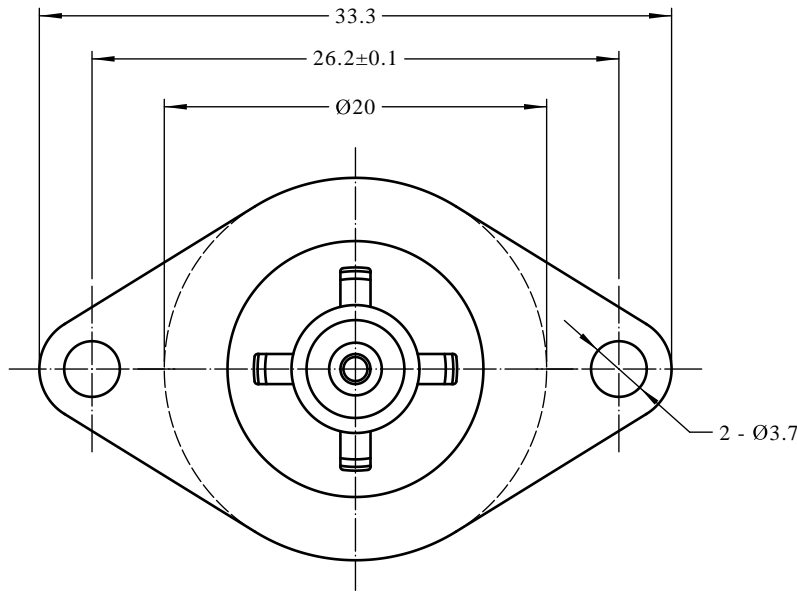


N25

RoHS DINGS' MOTION yyyy/mm/dd

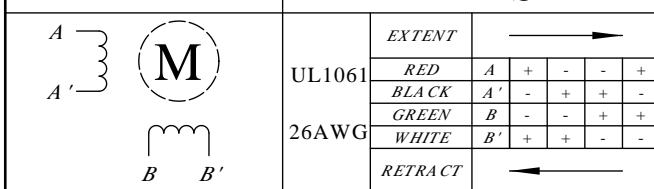
CUSTOMER APPROVE

Rev	Zone	Description	By	Date
0		Initial release		
1				
2				



POWER	W	3.85
VOLTAGE	V	5
PHASE CURRENT	mA	370
PHASE RESISTANCE	Ohm / 20C	13.5(±10%)
PHASE INDUCTANCE	mH / 1kHz	9.5(±20%)
STEP ANGLE	°	15
SCREW LEAD	mm	0.6096
STEP TRAVEL	mm	0.0254
LINEAR FORCE	N / 300PPS	TBD
SCREW LENGTH	mm	76.2
INSULATION RESISTANCE	M (DC 500V)	20
INSULATION CLASS		B
OPERATING TEMP RANGE		-20~+55
STORANG TEMP RANGE		-40~+100
MASS	g	50

### WIRING CHART EXCITING SEQUENCE



### NOTICE TO PERSONS RECEIVING THIS DRAWING

THIS DRAWING IS ONLY CONDITIONALLY ISSUED, AND FOR THE SOLE PURPOSE OF INFORMING LICENSEES AND ASSOCIATE CONTRACTORS OF DINGS' MOTION, AND VENDORS THERETO AND CUSTOMERS THEREOF. RECEIPT OR POSSESSION THEREOF DOES NOT CONFER TO TRANSFER ANY RIGHT IN THE SUBJECT MATTER OF THE DRAWING. THE DESIGN, CONSTRUCTION, TECHNICAL INFORMATION AND ALL OTHER SUBJECT MATTER SHOWN IN THIS DRAWING ARE AND REMAIN, EXCEPT AS MAY BE OTHERWISE INDICATED BY WRITTEN NOTICE HEREON, THE EXCLUSIVE PROPERTY OF SAID CORPORATION. THIS DRAWING MAY BE REPRODUCED ONLY BY LICENSEES AND ASSOCIATE CONTRACTORS OF SAID CORPORATION AND ONLY FOR LICENSED MANUFACTURE, AND BY VENDORS MANUFACTURING FOR SAID CORPORATION AND ONLY FOR LICENSEES AND ASSOCIATE CONTRACTORS.

LINEAR		ANGULAR	
0 ~ 3	±0.2	0 ~ 10	±1.5°
3 ~ 6	±0.5	10 ~ 50	±1°
6 ~ 30	±0.8	50 ~ 120	±30'
30 ~ 120	±1.5	120 ~ 400	±15'

DRAWN	DATE
APPRVD	DATE
MODEL	N25

**DINGS** 鼎智

SIZE	A4	SHEET	1 OF 1
SCALE	2:1	REV	0