

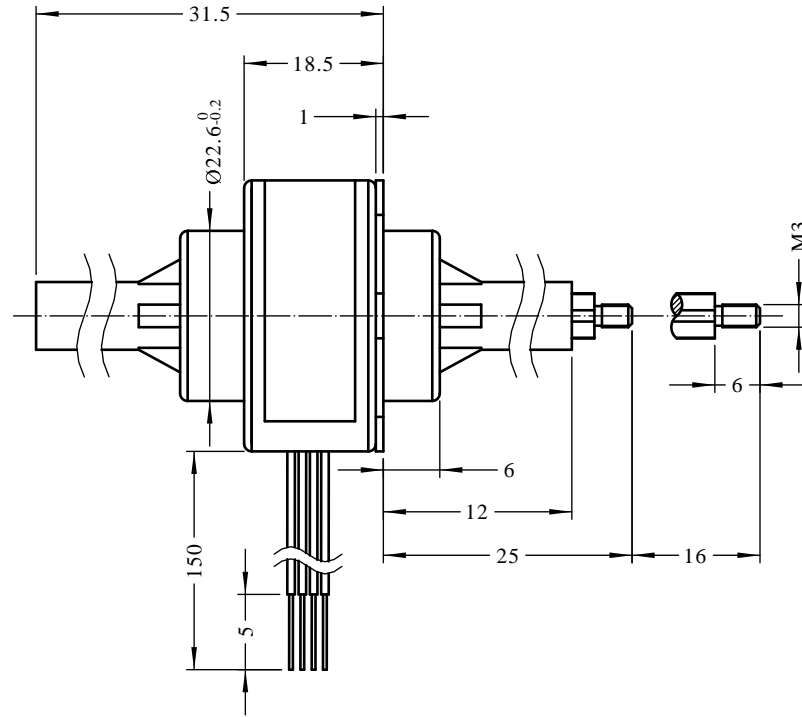
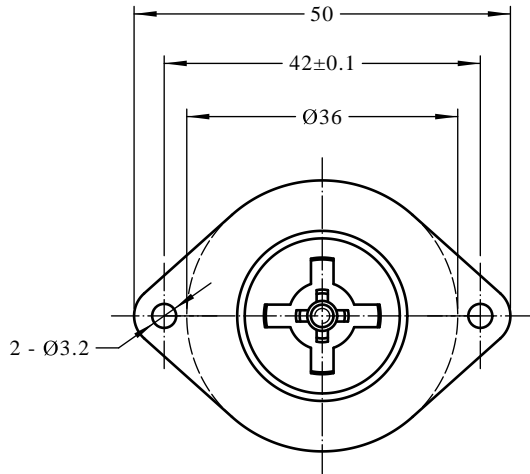


K36



DINGS' MOTION yyyy/mm/dd

CUSTOMER APPROVE



POWER	W	5.6
VOLTAGE	V	5
PHASE CURRENT	mA	560
PHASE RESISTANCE	Ohm / 20C	9
PHASE INDUCTANCE	mH / 1kHz	8
STEP ANGLE	°	15
SCREW LEAD	mm	0.6096
STEP TRAVEL	mm	0.0254
LINEAR FORCE	N / 300PPS	TBD
STROKE	mm	16
MASS	g	120

WIRING CHART EXCITING SEQUENCE

	UL1061 26AWG	EXTENT	→				
		RED	A	+	-	-	+
		BLACK	A'	-	+	+	-
		GREEN	B	-	-	+	+
		WHITE	B'	+	+	-	-
RETRACT	←						

NOTICE TO PERSONS RECEIVING THIS DRAWING

THIS DRAWING IS ONLY CONDITIONALLY ISSUED, AND FOR THE SOLE PURPOSE OF INFORMING LICENSEES AND ASSOCIATE CONTRACTORS OF DINGS' MOTION, AND VENDORS THERE TO AND CUSTOMERS THERE OF. RECEIPT OR POSSESSION THERE OF DOES NOT CONFER TO TRANSFER ANY RIGHT IN THE SUBJECT MATTER OF THE DRAWING. THE DESIGN, CONSTRUCTION, TECHNICAL INFORMATION AND ALL OTHER SUBJECT MATTER SHOWN IN THIS DRAWING ARE AND REMAIN, EXCEPT AS MAY BE OTHERWISE INDICATED BY WRITTEN NOTICE HEREON, THE EXCLUSIVE PROPERTY OF SAID CORPORATION. THIS DRAWING MAY BE REPRODUCED ONLY BY LICENSEES AND ASSOCIATE CONTRACTORS OF SAID CORPORATION AND ONLY FOR LICENSED MANUFACTURE, AND BY VENDORS MANUFACTURING FOR SAID CORPORATION AND ONLY FOR LICENSEES AND ASSOCIATE CONTRACTORS.

UNLESS OTHERWISE SPECIFIED
ALL DIMENSIONS ARE IN MILLIMETERS AND
TOLERANCES ARE AS BELOW PER ISO2768-C.

LINEAR		ANGULAR	
0 ~ 3	±0.2	0 ~ 10	±1.5°
3 ~ 6	±0.5	10 ~ 50	±1°
6 ~ 30	±0.8	50 ~ 120	±30'
30 ~ 120	±1.5	120 ~ 400	±15'

DRAWN		DATE	
APPRVD		DATE	
MODEL	K36		

DINGS 鼎智			
SIZE	A4	SHEET	1 OF 1
SCALE	1:1	REV	2

