

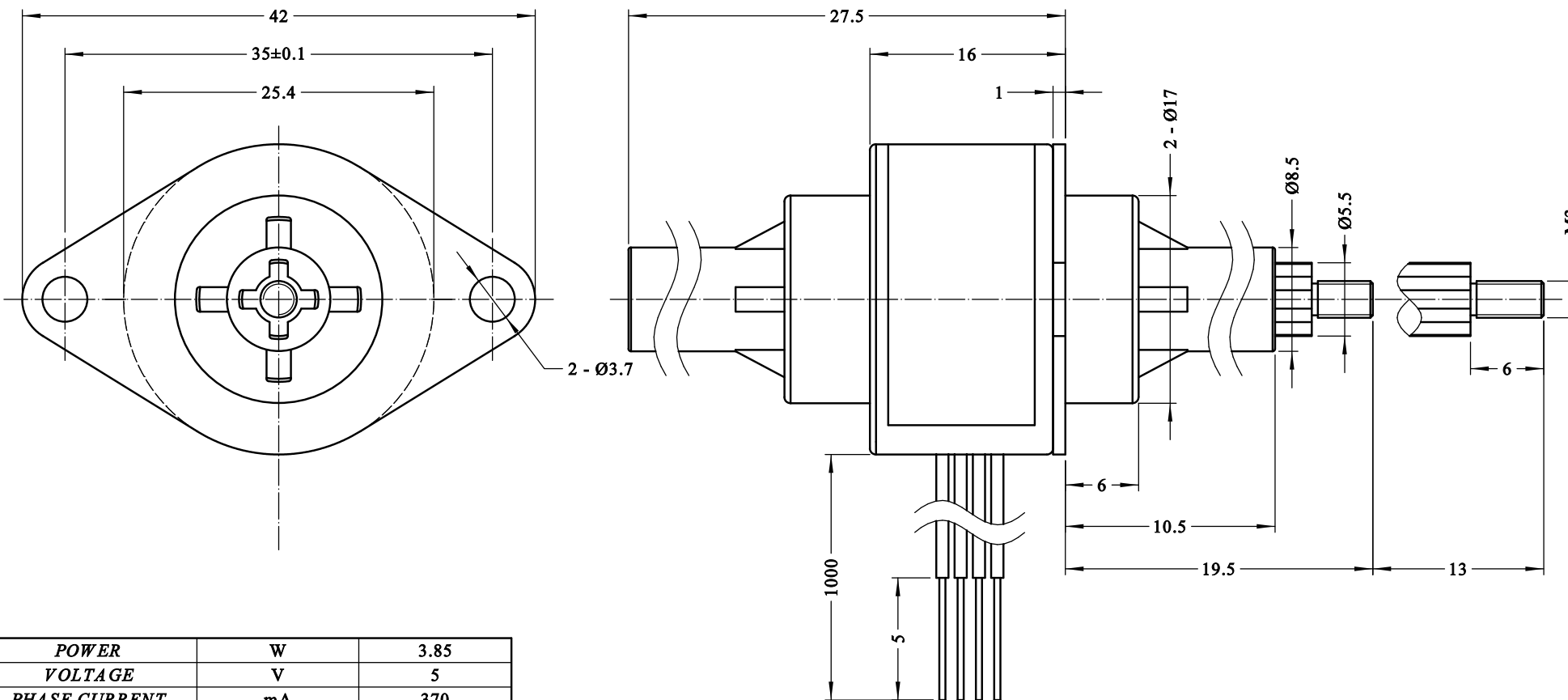


K25

RoHS DINGS' MOTION yyyy/mm/dd

CUSTOMER APPROVE

Rev	Zone	Description	By	Date
0		Initial release	Randy	
1				
2				



POWER	W	3.85
VOLTAGE	V	5
PHASE CURRENT	mA	370
PHASE RESISTANCE	Ohm / 20C	13.5
PHASE INDUCTANCE	mH / 1kHz	11
STEP ANGLE	°	15
SCREW LEAD	mm	0.6096
STEP TRAVEL	mm	0.0254
LINEAR FORCE	N / 300PPS	TBD
STROKE	mm	13
MASS	g	50

### WIRING CHART EXCITING SEQUENCE

	UL1061	EXTENT	→
		RED	A + - - +
	28AWG	BLACK	A' - + + -
		GREEN	B - - + +
		WHITE	B' + + - -
		RETRACT	←

NOTICE TO PERSONS RECEIVING THIS DRAWING  
THIS DRAWING IS ONLY CONDITIONALLY ISSUED, AND FOR THE SOLE PURPOSE OF INFORMING LICENSEES AND ASSOCIATE CONTRACTORS OF DINGS' MOTION, AND VENDORS THERE TO AND CUSTOMERS THEREOF, RECEIPT OR POSSESSION THEREOF DOES NOT CONFER TO TRANSFER ANY RIGHT IN THE SUBJECT MATTER OF THE DRAWING. THE DESIGN, CONSTRUCTION, TECHNICAL INFORMATION AND ALL OTHER SUBJECT MATTER SHOWN IN THIS DRAWING ARE AND REMAIN, EXCEPT AS MAY BE OTHERWISE INDICATED BY WRITTEN NOTICE HEREON, THE EXCLUSIVE PROPERTY OF SAID CORPORATION. THIS DRAWING MAY BE REPRODUCED ONLY BY LICENSEES AND ASSOCIATE CONTRACTORS OF SAID CORPORATION AND ONLY FOR LICENSED MANUFACTURE, AND BY VENDORS MANUFACTURING FOR SAID CORPORATION AND ONLY FOR LICENSEES AND ASSOCIATE CONTRACTORS.

UNLESS OTHERWISE SPECIFIED ALL DIMENSIONS ARE IN MILLIMETERS AND TOLERANCES ARE AS BELOW PER ISO2768-mK.				DRAWN	DATE		SIZE	A4	SHEET	1 OF 1	
				APPRVD	DATE						
LINEAR		ANGULAR		MODEL	K25	SCALE	2:1	REV	0		
0 ~ 3	±0.2	0 ~ 10	±1.5°								
3 ~ 6	±0.5	10 ~ 50	±1°								
6 ~ 30	±0.8	50 ~ 120	±30'								
30 ~ 120	±1.5	120 ~ 400	±15'								