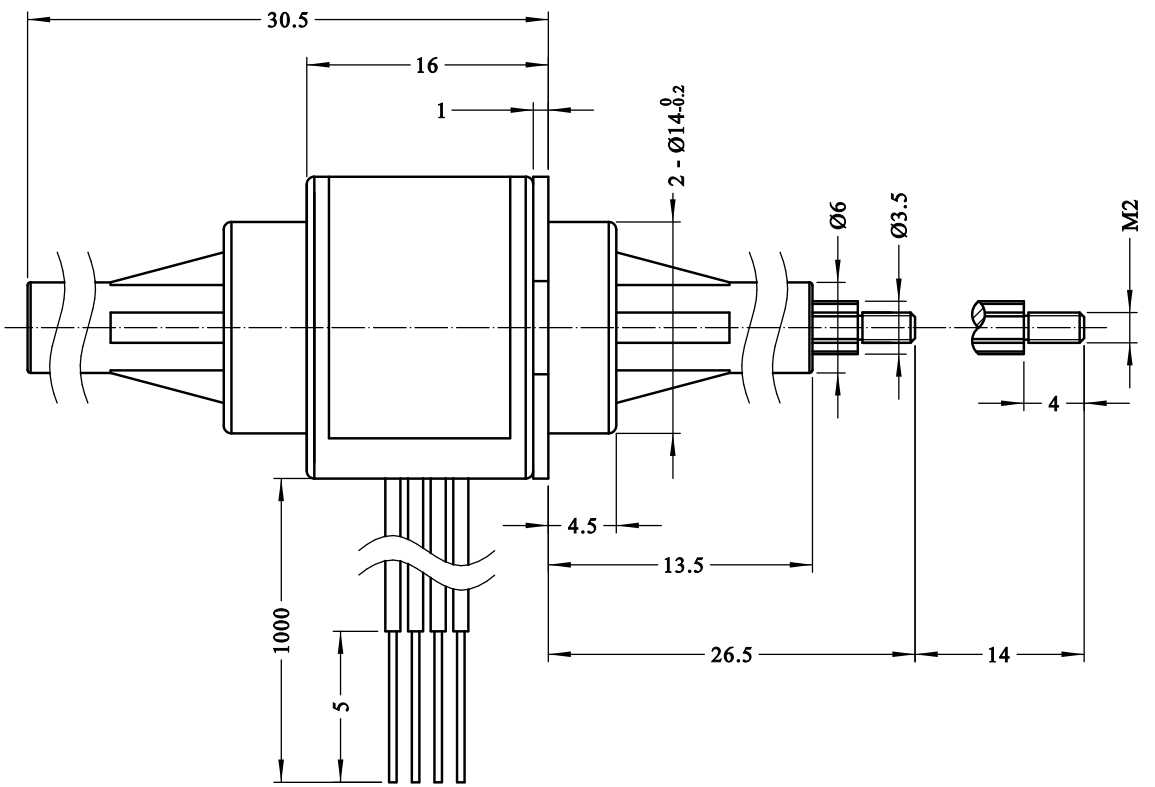
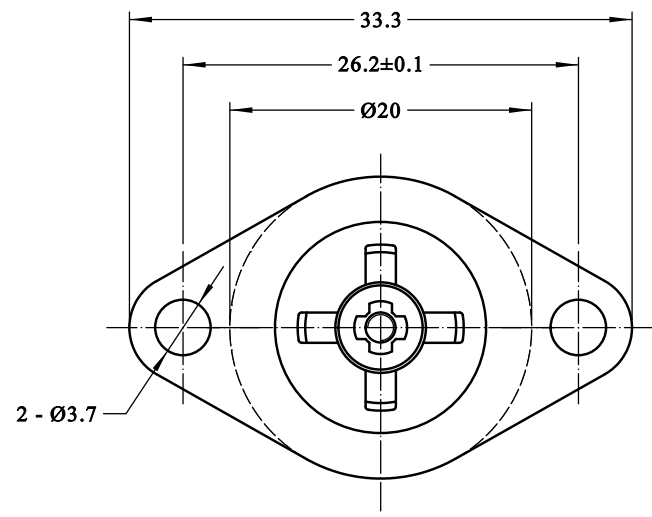

K20
RoHS DINGS' MOTION yyyy/mm/dd

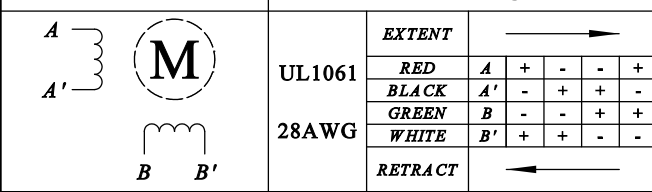
CUSTOMER APPROVE

Rev	Zone	Description	By	Date
0		Initial release	Randy	
1			Randy	
2			Randy	





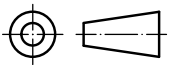
POWER	W	3.4
VOLTAGE	V	5
PHASE CURRENT	mA	385
PHASE RESISTANCE	Ohm / 20C	13
PHASE INDUCTANCE	mH / 1kHz	6
STEP ANGLE	°	15
SCREW LEAD	mm	0.6096
STEP TRAVEL	mm	0.0254
LINEAR FORCE	N / 300PPS	TBD
STROKE	mm	14
MASS	g	35

WIRING CHART EXCITING SEQUENCE



NOTICE TO PERSONS RECEIVING THIS DRAWING

THIS DRAWING IS ONLY CONDITIONALLY ISSUED, AND FOR THE SOLE PURPOSE OF INFORMING LICENSEES AND ASSOCIATE CONTRACTORS OF DINGS' MOTION, AND VENDORS THERE TO AND CUSTOMERS THEREOF, RECEIPT OR POSSESSION THEREOF DOES NOT CONFER TO TRANSFER ANY RIGHT IN THE SUBJECT MATTER OF THE DRAWING. THE DESIGN, CONSTRUCTION, TECHNICAL INFORMATION AND ALL OTHER SUBJECT MATTER SHOWN IN THIS DRAWING ARE AND REMAIN, EXCEPT AS MAY BE OTHERWISE INDICATED BY WRITTEN NOTICE HEREON, THE EXCLUSIVE PROPERTY OF SAID CORPORATION. THIS DRAWING MAY BE REPRODUCED ONLY BY LICENSEES AND ASSOCIATE CONTRACTORS OF SAID CORPORATION AND ONLY FOR LICENSED MANUFACTURE, AND BY VENDORS MANUFACTURING FOR SAID CORPORATION AND ONLY FOR LICENSEES AND ASSOCIATE CONTRACTORS.

	UNLESS OTHERWISE SPECIFIED ALL DIMENSIONS ARE IN MILLIMETERS AND TOLERANCES ARE AS BELOW PER ISO2768-mK.		DRAWN	DATE																					
	APPRVD	DATE	MODEL	K20																					
<table border="1" style="font-size: x-small;"> <thead> <tr> <th colspan="2">LINEAR</th> <th colspan="2">ANGULAR</th> </tr> </thead> <tbody> <tr> <td>0 ~ 3</td> <td>±0.2</td> <td>0 ~ 10</td> <td>±1.5°</td> </tr> <tr> <td>3 ~ 6</td> <td>±0.5</td> <td>10 ~ 50</td> <td>±1°</td> </tr> <tr> <td>6 ~ 30</td> <td>±0.8</td> <td>50 ~ 120</td> <td>±30'</td> </tr> <tr> <td>30 ~ 120</td> <td>±1.5</td> <td>120 ~ 400</td> <td>±15'</td> </tr> </tbody> </table>	LINEAR		ANGULAR		0 ~ 3	±0.2	0 ~ 10	±1.5°	3 ~ 6	±0.5	10 ~ 50	±1°	6 ~ 30	±0.8	50 ~ 120	±30'	30 ~ 120	±1.5	120 ~ 400	±15'	SIZE	A4	SHEET	1 OF 1	
LINEAR		ANGULAR																							
0 ~ 3	±0.2	0 ~ 10	±1.5°																						
3 ~ 6	±0.5	10 ~ 50	±1°																						
6 ~ 30	±0.8	50 ~ 120	±30'																						
30 ~ 120	±1.5	120 ~ 400	±15'																						
	SCALE	2:1	REV	0																					